





HELIDECK INFORMATION PLATE

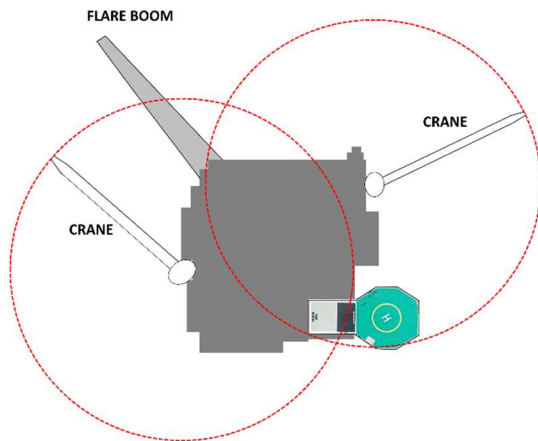
1. Operating Company Logo 		2. Position <p style="text-align: center;">N 27° 19.4166' W 90° 32.2002'</p>		3. Location Name <h2 style="text-align: center;">HOLSTEIN</h2>	
4. Helideck Identification Marking <h3 style="text-align: center;">GC 645</h3>					
5. Operating Company Anadarko US Offshore LLC	6. Helideck D-Value 69 ft / 21m	7. Helideck Elevation 215.3 ft / 65.6m	8. Lease Block Number GC 645		
9. VHF Radio Frequency 123.05 MHz	10. Helideck Dimensions 73 x 73ft / 22.25 x 22.25m	11. Max Allowable Mass 28 / 12.5t	12. Region Gulf of Mexico		
13. Limitations Use caution with placement of tail rotor due to south exit. Push in parking only - The combined weight of both aircraft cannot exceed the helideck max weight. Caution – Turbulence in excess of HSAC/CAP437 Limits <ul style="list-style-type: none"> If wind >20 kts between 045° to 225° If wind >30 kts all directions 		14. TDPM/Aiming Circle <input checked="" type="checkbox"/> Yes <input type="checkbox"/> No <input type="checkbox"/> Displaced 0.1D		15. Weather/ATIS/AWOS ID: TEL: FREQ: No onsite weather station	
16. Marking Standard <input type="checkbox"/> CAP 437 <input checked="" type="checkbox"/> HSAC RP <input type="checkbox"/> Other					
17. Remarks <ul style="list-style-type: none"> 20 minute and 5 minutes out calls are required. Flight Ops to helideck are approved with West Knuckle crane in operation. Backup frequency marine channels 16 & 69 in control room Hot gasses over helideck possible during westerly wind 		18. Services Helicopter Refueling: Yes Helicopter Starter Equipment: No Helicopter Towing Equipment: No Helideck Status Lights: Yes			
19. Installation Pictures <div style="display: flex; justify-content: space-around;">    </div>					
20. Deviations from CAP437 or HSAC RPs <ul style="list-style-type: none"> South exit stairwell landing infringes on OFDS. Aiming circle and 'H' lines narrower than HSAC RP161 Helideck identification and frequency marking in black 			21. Parking Area Information Type D-Value Dimensions Max. Allowable Mass Procedures		
Push in parking (PIPA) n/a 55 x 40 ft. combined weight of all aircraft not to exceed 28,000 lbs. Rotor blades to be clear of PTA					
22. NDB Frequency None	23. NDB Call Sign N/A	24. Issue Date 01/OCT/2024	25. Revision Number Rev 003		

HELIDECK INFORMATION PLATE

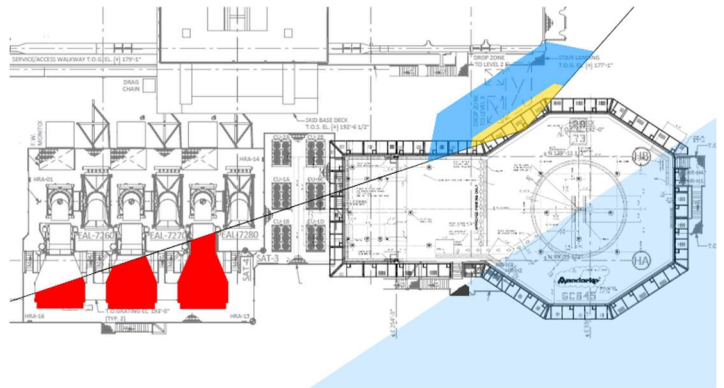
26. Helideck Picture



27. Platform Schematic



OFS infringement in red
 OFDS infringement in gray (Section of landing below main exit)



28. Additional Information

29. Link to NOTAM Website

n/a

30. Helideck Contact Telephone Number

(832) 636-9369 / (832) 636-9359