





HELIDECK INFORMATION PLATE

1. Operating Company Logo 		2. Position <p style="text-align: center;">27° 18.2304' N 93° 32.2986' W</p>		3. Location Name <h2 style="text-align: center;">GUNNISON</h2>			
5. Operating Company <p style="text-align: center;">Anadarko US Offshore LLC</p>		6. Helideck D-Value <p style="text-align: center;">52 ft / 16m</p>		7. Helideck Elevation <p style="text-align: center;">175 ft / 53.3m</p>		8. Lease Block Number <p style="text-align: center;">GB 668</p>	
9. VHF Radio Frequency <p style="text-align: center;">Marine 88 (157.425 MHz)</p>		10. Helideck Dimensions <p style="text-align: center;">52 x 52ft / 16 x 16m</p>		11. Max Allowable Mass <p style="text-align: center;">18 / 8.2t</p>		12. Region <p style="text-align: center;">Gulf of Mexico</p>	
13. Limitations <ul style="list-style-type: none"> Obstructions in 5:1 OFDS on south, west, and east sides. East crane infringes on Obstacle Free Sector. 				14. TDPM/Aiming Circle <input checked="" type="checkbox"/> Yes <input type="checkbox"/> No <input type="checkbox"/> Displaced 0.1D		15. Weather/ATIS/AWOS ID: KGUL TEL: (832) 636-9298 FREQ: 119.025	
				16. Marking Standard <input type="checkbox"/> CAP 437 <input type="checkbox"/> HSAC RP <input checked="" type="checkbox"/> OTHER			
17. Remarks <ul style="list-style-type: none"> 20 minute and 5 minute out calls are required. Marine Channel 88 (157.425 Tone 64) for 20 minute and 5 minute calls. 123.05 MHz monitored by medic. 				18. Services Helicopter Refueling: Yes Helicopter Starter Equipment: No Helicopter Towing Equipment: No Helideck Status Lights: Yes			
19. Installation Pictures							
							
20. Deviations from CAP437 or HSAC RPs <ul style="list-style-type: none"> Helideck markings not to HSAC standard Obstructions in 5:1 OFDS on south, west, and east sides. East crane infringes on Obstacle Free Sector. 				21. Parking Area Information Type N/A D-Value Dimensions Max. Allowable Mass Procedures			
22. NDB Frequency <p style="text-align: center;">None</p>		23. NDB Call Sign <p style="text-align: center;">N/A</p>		24. Issue Date <p style="text-align: center;">01/OCT/2024</p>		25. Revision Number <p style="text-align: center;">Rev 002</p>	

HELIDECK INFORMATION PLATE

26. Helideck Picture

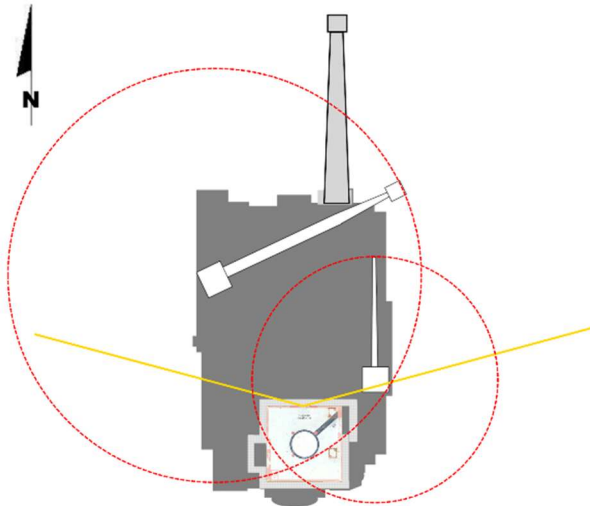


Note: East Crane gantry platform infringes into OFS

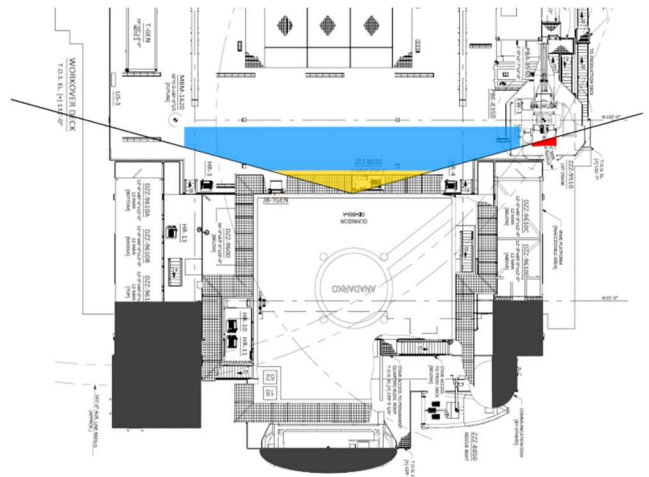


27. Platform Schematic

Shows platform north – Platform north 15°T



D52 Limited and Obstacle Free sectors.
5:1 OFDS infringements shaded in dark grey.
OFS infringement in red.



28. Additional Information

Helideck is scheduled for repaint in 2024.

29. Link to NOTAM Website

n/a

30. Helideck Contact Telephone Number

(832) 636-9120