





# HELIDECK INFORMATION PLATE

1. Operating Company Logo  		2. Position <p style="text-align: center;"><b>27° 06.7098' N    90° 45.7614' W</b></p>		3. Location Name  <h2 style="text-align: center;">HEIDELBERG</h2>	
4. Helideck Identification Marking <p style="text-align: center;"><b>HEIDELBERG GREEN CANYON 860</b></p>					
5. Operating Company  <b>Anadarko US Offshore LLC</b>	6. Helideck D-Value  <p style="text-align: center;"><b>56 ft / 17m</b></p>	7. Helideck Elevation  <p style="text-align: center;"><b>207 ft / 63m</b></p>	8. Lease Block Number  <p style="text-align: center;"><b>GC 860</b></p>		
9. VHF Radio Frequency  <p style="text-align: center;"><b>123.05 MHz</b></p>	10. Helideck Dimensions  <p style="text-align: center;"><b>56 x 102ft / 17 x 31m</b></p>	11. Max Allowable Mass  <p style="text-align: center;"><b>28 / 12.7t</b></p>	12. Region  <p style="text-align: center;"><b>Gulf of Mexico</b></p>		
13. Limitations  <b>Push in parking area – no hover taxi to PIPA. The nose of the aircraft must be facing west when parked. The combined weight of both aircraft cannot exceed the helideck max weight.</b>		14. TDPM/Aiming Circle <input checked="" type="checkbox"/> <b>Yes</b> <input type="checkbox"/> No <input type="checkbox"/> Displaced 0.1D		15. Weather/ATIS/AWOS ID: TEL: FREQ:  <p style="text-align: center;"><b>No onsite weather station</b></p>	
16. Marking Standard <input type="checkbox"/> CAP 437 <input type="checkbox"/> HSAC RP <input checked="" type="checkbox"/> <b>OTHER</b>					
17. Remarks <ul style="list-style-type: none"> <li>• <b>20 minute and 5 minute out calls are required.</b></li> </ul>		18. Services Helicopter Refueling: <b>Yes</b> Helicopter Starter Equipment: <b>No</b> Helicopter Towing Equipment: <b>No</b> Helideck Status Lights: <b>Yes</b>			
19. Installation Pictures  <div style="display: flex; justify-content: space-around;">    </div>					
20. Deviations from CAP437 or HSAC RPs <ul style="list-style-type: none"> <li>• <b>Helideck markings not to HSAC standard</b></li> <li>• <b>Satellite dome on west side infringes on OFDS</b></li> </ul>			21. Parking Area Information Type <b>Push-In Parking Area (PIPA)</b> D-Value <b>n/a</b> Dimensions <b>56 x 27ft / 17 x 8.23m</b> Max. Allowable Mass <b>28 / 12.7t (combined weight)</b> Procedures		
22. NDB Frequency  <p style="text-align: center;"><b>None</b></p>	23. NDB Call Sign  <p style="text-align: center;"><b>N/A</b></p>	24. Issue Date  <p style="text-align: center;"><b>01/OCT/2024</b></p>	25. Revision Number  <p style="text-align: center;"><b>Rev 002</b></p>		

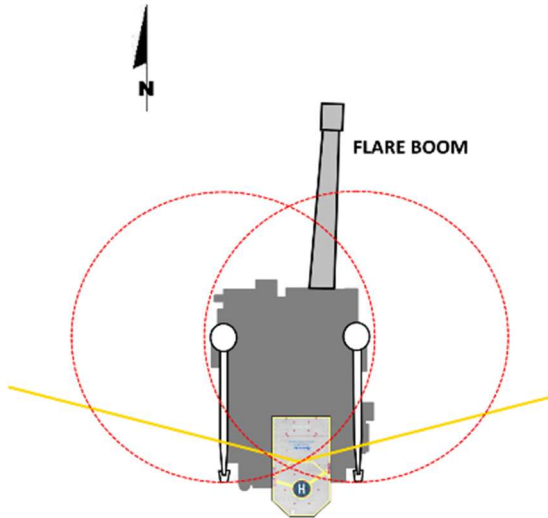
# HELIDECK INFORMATION PLATE

## 26. Helideck Picture

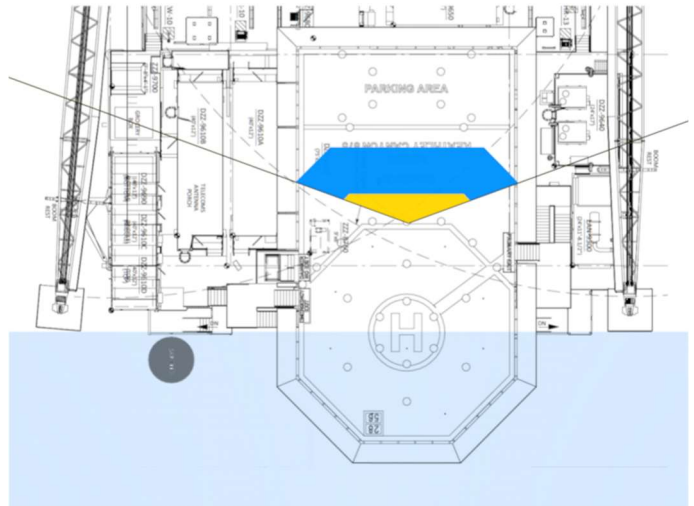


## 27. Platform Schematic

(Shows platform north)



**Note: OFDS infringement in grey**



## 28. Additional Information

Helideck is scheduled for repaint in 2024.

## 29. Link to NOTAM Website

n/a

## 30. Helideck Contact Telephone Number

**(832) 636-9260 / (832) 636-9261**