





# HELIDECK INFORMATION PLATE

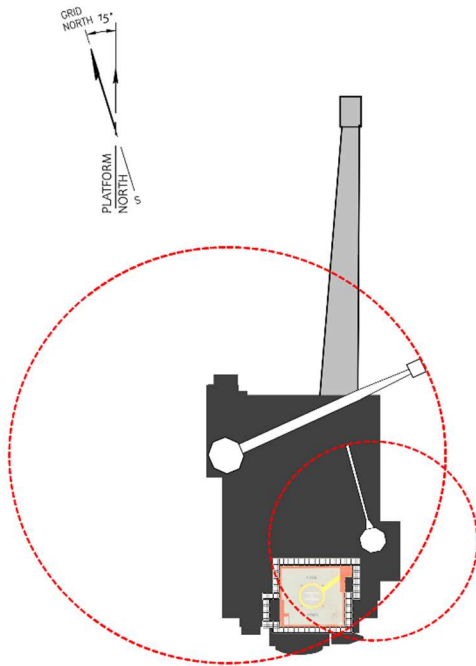
1. Operating Company Logo  	2. Position <p style="text-align: center;"><b>27° 21.0168' N    94° 37.0836' W</b></p> 4. Helideck Identification Marking <p style="text-align: center;"><b>BOOMVANG EB 643-A</b></p>	3. Location Name  <p style="text-align: center; font-size: 1.5em;"><b>BOOMVANG</b></p>	
5. Operating Company  <p style="text-align: center;"><b>Anadarko US Offshore LLC</b></p>	6. Helideck D-Value  <p style="text-align: center;"><b>46 ft / 14m</b></p>	7. Helideck Elevation  <p style="text-align: center;"><b>175 ft / 53m</b></p>	8. Lease Block Number  <p style="text-align: center;"><b>EB 643</b></p>
9. VHF Radio Frequency  <p style="text-align: center;"><b>123.05 MHz</b></p>	10. Helideck Dimensions  <p style="text-align: center;"><b>46 x 46ft / 14 x 14m</b></p>	11. Max Allowable Mass  <p style="text-align: center;"><b>15 / 6.8t</b></p>	12. Region  <p style="text-align: center;"><b>Gulf of Mexico</b></p>
13. Limitations  <ul style="list-style-type: none"> <li>Use caution with placement of tail rotor due to fuel station and single passenger entry point.</li> <li>5:1 OFDS infringements on west, east, and south sides of helideck.</li> </ul>		14. TDPM/Aiming Circle <input checked="" type="checkbox"/> Yes <input type="checkbox"/> No <input type="checkbox"/> Displaced 0.1D  16. Marking Standard <input type="checkbox"/> CAP 437 <input type="checkbox"/> HSAC RP <input checked="" type="checkbox"/> Other	15. Weather/ATIS/AWOS ID: <b>KVAF</b> TEL: <b>832-636-9297</b> FREQ: <b>119.525</b>
17. Remarks  <ul style="list-style-type: none"> <li>20 minute and 5 minutes out calls are required.</li> <li>Secondary radio Marine 88 (157.425 MHz)</li> </ul>		18. Services Helicopter Refueling: <b>Yes</b> Helicopter Starter Equipment: <b>No</b> Helicopter Towing Equipment: <b>No</b> Helideck Status Lights: <b>Yes</b>	
19. Installation Pictures  <div style="display: flex; justify-content: space-around;">    </div>			
20. Deviations from CAP437 or HSAC RPs  <ul style="list-style-type: none"> <li>No chevron marking on helideck.</li> </ul>		21. Parking Area Information Type <b>None</b> D-Value Dimensions Max. Allowable Mass Procedures	
22. NDB Frequency  <p style="text-align: center;"><b>None</b></p>	23. NDB Call Sign  <p style="text-align: center;"><b>N/A</b></p>	24. Issue Date  <p style="text-align: center;"><b>01/OCT/2024</b></p>	25. Revision Number  <p style="text-align: center;"><b>Rev 002</b></p>

# HELIDECK INFORMATION PLATE

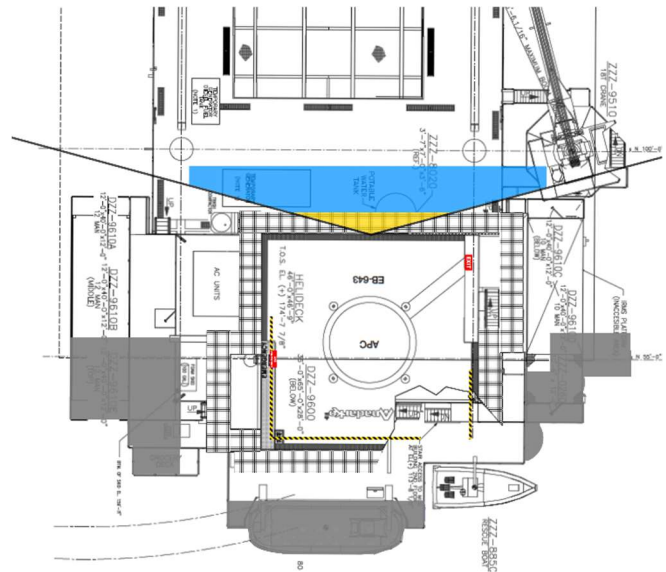
## 26. Helideck Picture



## 27. Platform Schematic



Note: OFDS infringement in grey



## 28. Additional Information

## 29. Link to NOTAM Website

n/a

## 30. Helideck Contact Telephone Number

(832) 636-9180 / (832) 636-9181